

FURUTECH

PURE TRANSMISSION



The Astoria Plus-E Pro Audio Power Cable



The New Upgraded Furutech Astoria Plus-E and Empire Plus-E power cords

If you're a musician or a recording professional, ask yourself the following question: Do your current power cords make sense?

They might make sense to your budget or in the context of your recording and playback equipment, but are they making sense to your brain? Does the music you create in the studio sound like the music in your head, natural and inviting and emotional? Or do you listen to your music with an imaginary clipboard in your lap, checking off what's right about the sound you're getting—and what isn't so right?

The new Furutech Astoria Plus-E and Empire Plus-E power cords were designed for demanding professionals just like you. Developed in Tokyo with extensive feedback from musicians and recording professionals, the Astoria Plus-E and Empire Plus-E power cords have been specifically tuned and balanced to deliver greater punch and dynamics to your sound—more of what you're hearing in your head and in your heart.

In fact, choosing between the Astoria Plus-E and the Empire Plus-E provides you with even greater control over the type of sound you're trying to achieve. Pick the Astoria Plus-E if you're aiming for quick response and natural speed, mated with deep and powerful bass. The Empire Plus-E, on the other hand, offers a well-balanced sound with incredible resolution so that you hear every detail and nuance. It's up to you.

Just replace the existing power cords for your amplifiers, mixing consoles, microphone preamps and even your entire recording and playback system, and you'll immediately hear more top-to-bottom coherence in the sound. Dynamic range will be greater than ever before, and the music will sound effortless and expansive instead of congested, edgy or muddy.

Your music will start to make more sense where it counts—in your brain.

The legendary design team at Furutech are experts when it comes to preserving the signal path and delivering an end result that's accurate, honest and uncompromised. Our innovative (Alpha) PC-Triple C power cable, used in both the Astoria Plus-E and the Empire Plus-E, is the result of a proprietary forging process that involved repeated rounds of metal folding—the same method used to create the katana, the sword used by Samurai warriors!

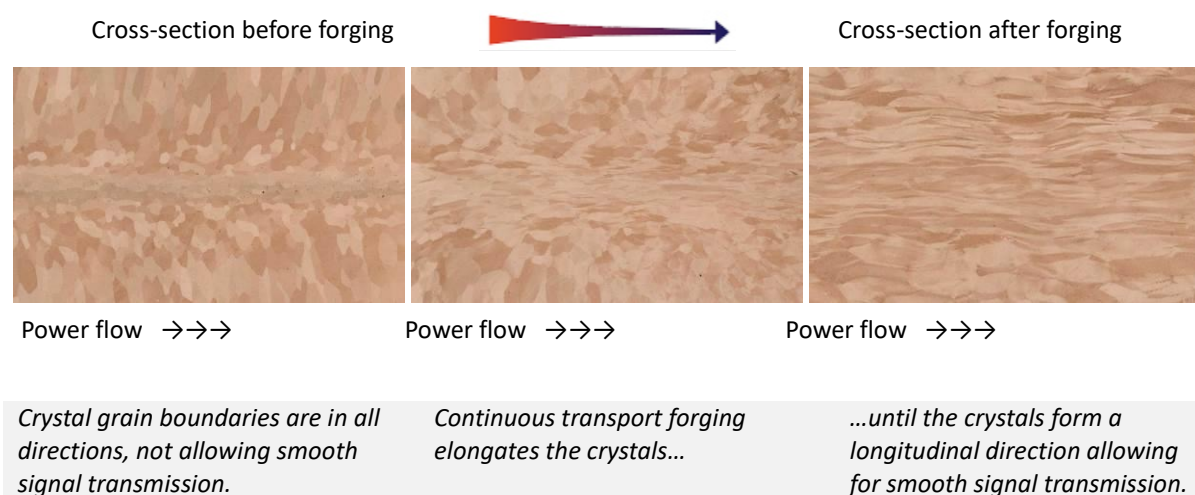
We've taken that art of sword-making to new levels, however, by applying variable high pressures to high-purity oxygen-free copper. This creates a forging process that is identical to folding the steel of a katana tens of thousands of times. This ensures that the crystal grain boundaries deep inside the copper are rearranged so that electrical current travels through the signal path more smoothly than ever before.

Add our renowned gold-plated connectors, our noise-reducing (Alpha) conductor shielding, our vibration-controlling RoHS-compliant flexible PVC sheath and our patented Floating Field Damper grounding system and you'll have a razor-sharp tool for extracting the finest results-- both in the studio and on the stage.

Use Furutech's Astoria Plus-E and Empire Plus-E power cords for all your recording and playback needs and the end result will not be subtle.

The Alpha PC-Triple C forging process at a glance

Step 1: High purity OFC undergoes variable high-pressure forging and folding:



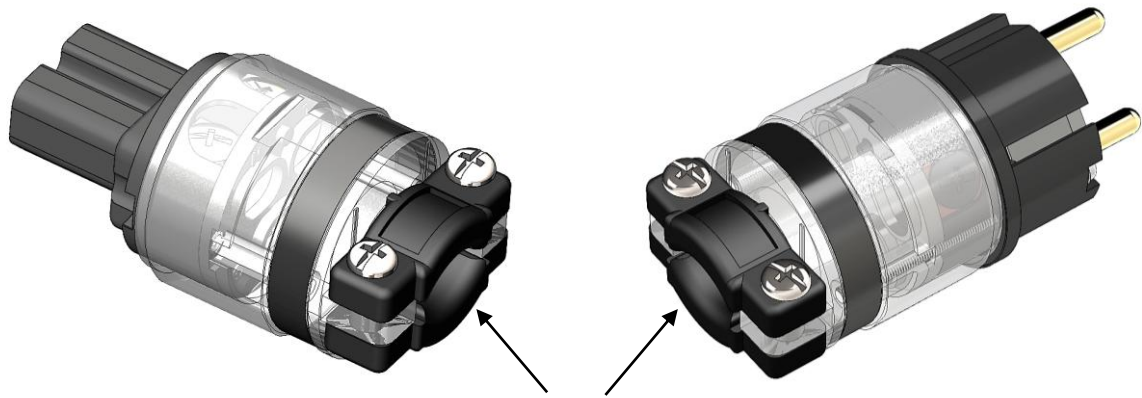
Step 2: The fixed-angle continuous transport forged conductor is then subjected to further elongation and pressing process to create the super-fine conductors. The conductors then go through a time and temperature annealing process which fuses the crystals to each other. The finished conductor is now Alpha PC-Triple C.



Cross section of Alpha PC-Triple C

Amazing Features

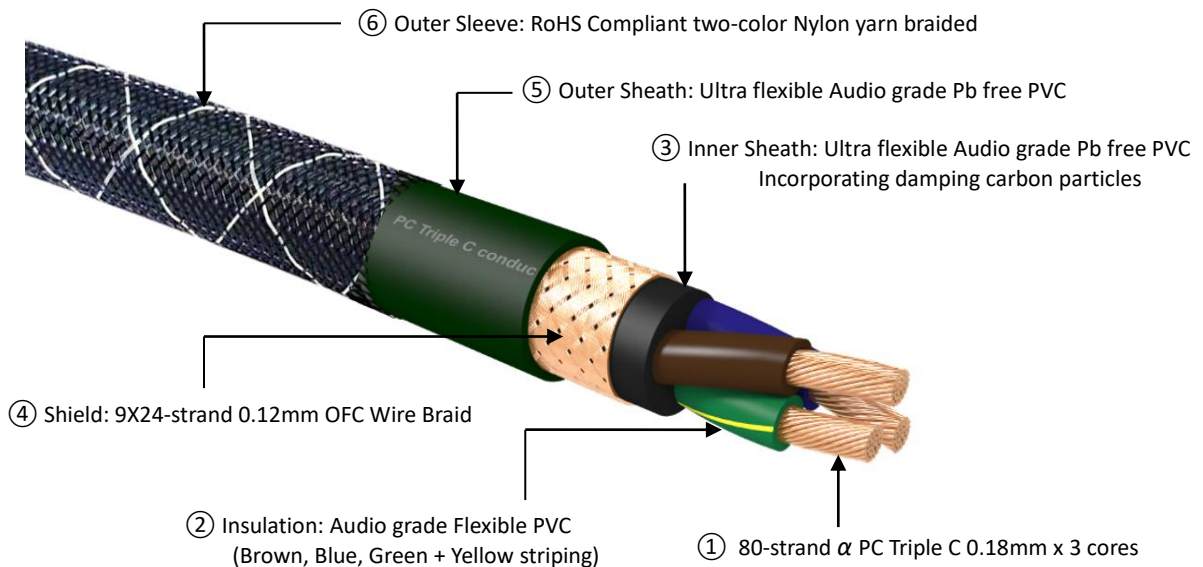
- Fitted with Non-plated Furutech FI-E11-N1(Cu) and FI-11-N1(Cu) IEC connector
- α (Alpha) conductor shield for protection against radiated noise
- RoHS-compliant Audio grade flexible PVC sheath improves vibration isolation
- Special Audio grade flexible PVC Insulation contributes to reduced capacitance
- Floating Field Damper™ US Patent No.: 6,669,491/ European Patent (EP1445837)
- Features improved plating and new metal cable clamp for resonance damping and firm grip



Main cable fixing clamp improves grip and reduces mechanically and electrically induced distortion
 (formed with stainless steel powder and vibration resistant metal powder)

Cable Specifications

- Conductors: 80-strand α PC Triple C 0.18mm x 3 cores
- Insulation: Audio grade Flexible PVC (Brown, Light Blue, Green with Yellow striping) OD: 3.5mm diameter approx.
- Inner Sheath: Audio grade Flexible PVC (Black)
- Shielding: 0.12mm OFC Wire Braid
- Sheath: RoHS-compliant Audio grade flexible PVC (Dark Green), 12.8mm diameter approx.
- Outer Sleeve: RoHS Compliant two-color Nylon yarn braided
- Length: 180cm approx.



Make a More Powerful Connection with Furutech!

Product name	Product Introduction	JAN CODE
The Astoria Plus-E	Power Supply Cable	4580370445190