

FURUTECH

PURE TRANSMISSION



 NCF[®]



NCF Booster-Signal-L

FURUTECH original design --- Hybrid multi-material construction for improved sound quality

Not a Sound Enhancer – A Sound revealer!

Nano Crystal² Formula (NCF).

Incorporated into selected Furutech products, NCF features a special crystalline material that has two 'active' properties. First, it generates negative ions that eliminate static. Second, it converts thermal energy into far infrared. Furutech combines this remarkable material with nano-sized ceramic particles and carbon powder for their additional 'piezoelectric effect' damping properties. The resulting Nano Crystal² Formula is the ultimate electrical and mechanical damping material. Created by Furutech, it is found exclusively in Furutech products.

Height: Base level- 23.8 mm/ Extended level- 81.4 mm approx.

Overall Base Unit Dimensions: 89.8 x 66.0mm approx.

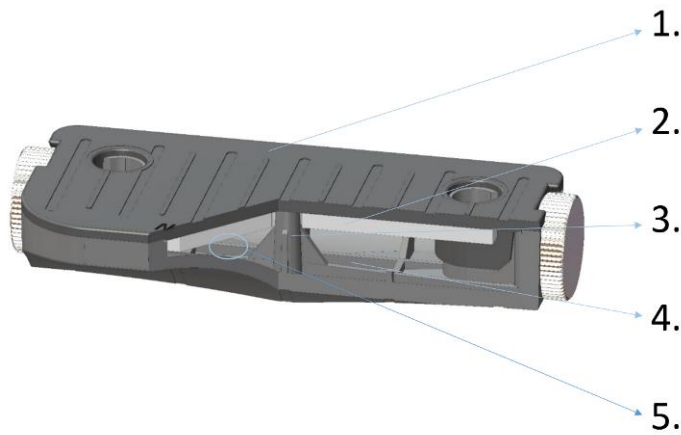
Overall Dimensions: W 46 X L 106 X H 23.8mm approx.

Net Weight:

Base level-130.5g / Extended level- 177.5g approx.





Construction and features:



1. **NCF (multi-material hybrid structure):** Audio grade ABS resin (Base) and NCF formulated nylon resin (Cover)
2. **Damping mat**
3. **Vibration transmission shaft (central column)**
4. **Vibration suppression wall (damping wall):** damping structure to suppress resonance.
5. **Air chamber:** Internal air pressure suppresses vibration.

The NCF Booster-Signal-L base is formed from SPCC (Steel - Plate – Cold rolled - Coil) with a special powder coating (fog black) finish for a more stable and damped construction.

The new design allows for the cradle to be lowered to much further than previous models making it possible for the NCF Booster-Signal-L to support connections that are usually positioned lower on components like HDMI and USB.

Included Accessories	
	Extension shaft bar (2 PCS)
	Hybrid silicone vibration damping ring (2 PCS)

Product name	Product Introduction	Jan Code
NCF Booster-Signal-L	NCF Connector and Cable Holder	4580370443790

All metallic parts are treated by ***FURUTECH α** (Alpha) Process (Super Cryogenic & Demagnetize Treatment .)

FURUTECH CO., LTD. service@furutech.com

 **NCF**[®] is a registered trademark of Furutech Co., Ltd. Japan