

# FURUTECH

PURE TRANSMISSION



Make A More Powerful Connection With  
Furutech Pure Transmission Technology



*Refinement Has a New  
Name... the Furutech  
Carbon finished FT-816  
Binding Posts*

*Premier Performance and  
Legendary Build Quality*

## ***Furutech Carbon Finished AMP Binding Posts Model FT-816***

All audiophiles search for the same qualities: Verisimilitude to the original event, a sense of engagement promoting suspension of disbelief, a visceral immersion in the audio video experience. They also know that everything in the signal path makes a difference, and that includes speaker binding posts.

Furutech's beautifully finished, beautiful sounding Binding Posts are the result of meticulous engineering and careful audition of various suitable materials. The FT-816 features an  $\alpha$  (Alpha) phosphor bronze conductors for minimal impedance and substantially-built extremely nonresonant carbon fiber, nonmagnetic stainless steel and eutectic copper alloy housings.

### ***Features and Materials***

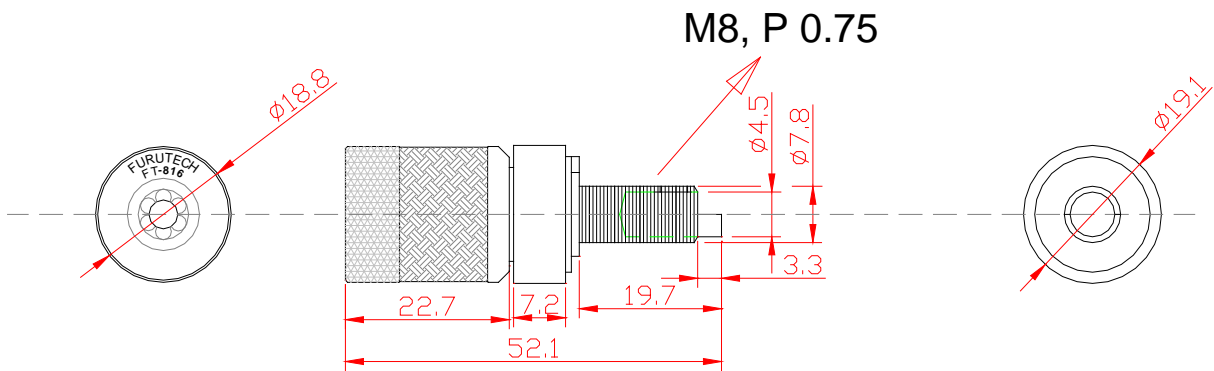
- Main conductor:  $\alpha$  (Alpha) pure copper conductor Rhodium or 24k Gold plated
- Housing: Carbon fiber, nonmagnetic stainless, eutectic copper alloy
- Nylon (red/white) and Polycarbonate (clear) insulation
- Connections: Soldered or set-screw
- Specified for core diameters up to 4.5mm

**Dimensions:** Housing: 18.8  $\phi$  x 22.7mm (H) overall height

Insulation: Polycarbonate (Clear) 19.1  $\phi$   $\pm$  0.2mm x 7.2mm(H),

Total overall length: 52.1 mm approx.

FT-816 Outer size



**Make a More Powerful Connection with Furutech!**

FURUTECH CO., LTD • [service@furutech.com](mailto:service@furutech.com) • [www.furutech.com](http://www.furutech.com)



Reference III Wins Absolute Sound Editors' Choice '07/'08

Ag-12 Phono Cable Wins Tone Audio's Exceptional Value Award '08

HDMI xv1.3 Digital Cable Wins Positive Feedback's Brutus Award '08

Monza LP Stabilizer/Weight Wins Positive Feedback's Brutus Award '09

Select Series Fuses Win Positive Feedback's Brutus Award '09

