

FURUTECH

PURE TRANSMISSION

AEx

オーディオ銘機賞
Audio Excellence Award 2008



High End Performance IEC INLET



Regular Clamp



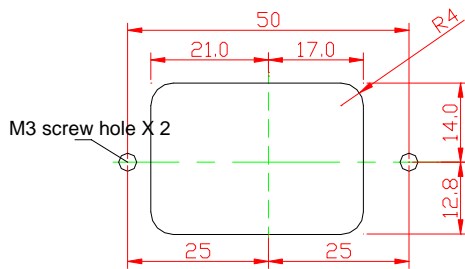
Furutech Patent Pending Clamp

Contact Area Calculated Increase: 17.142%

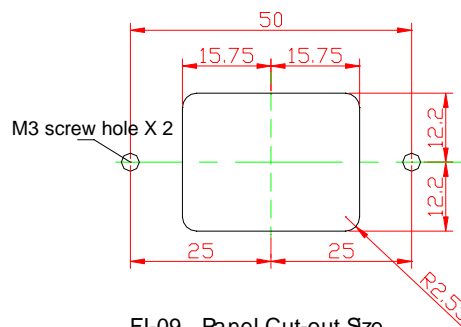
FI-09(R) Rhodium Plated FI-09(G) 24k Gold Plated

Type: 2-pole+earth Rating: 15A 250V A.C.

- α (Alpha) Pure copper Conductor
- Material: Nylon/fiberglass
- Specified for wire diameters of 4mm (set screw)
- Dimensions: 60.0mm (W) x 30.2mm (D) x 36.2mm(H)
- Furutech's total attention to detail and build quality extends right down to a specially designed patent-pending pressure plate (see below) that increases the contact area of the Alpha Conductors.



FI-09 Panel Cut-out Size
(for Front mounting Use)



FI-09 Panel Cut-out Size
(for Rear mounting Use)

All metallic parts are treated with the

**FURUTECH α (Alpha) Process (Super Cryogenic & Demagnetizing Treatment.)*

FURUTECH CO., LTD

service@furutech.com

Make A More Powerful Connection with Furutech!